

## N4000 series

### spare part list

#### N4080

Front	2
Controls	30
Back	40

#### N4090

Front	4
Controls	32
Back	40

#### N4097

Front	6
Controls	34
Back	40

#### N4100

Front	8
Controls	32
Back	42

#### N4104

Front	10
Controls	34
Back	42

#### N4108

Front	12
Controls	32
Back	40

#### N4112

Front	14
Controls	34
Back	40

#### N4141

Front	18
Controls	38
Back	44

#### N4142

Front	20
Controls	38
Back	44

#### N4145

Front	22
Controls	32
Back	46

#### N4150

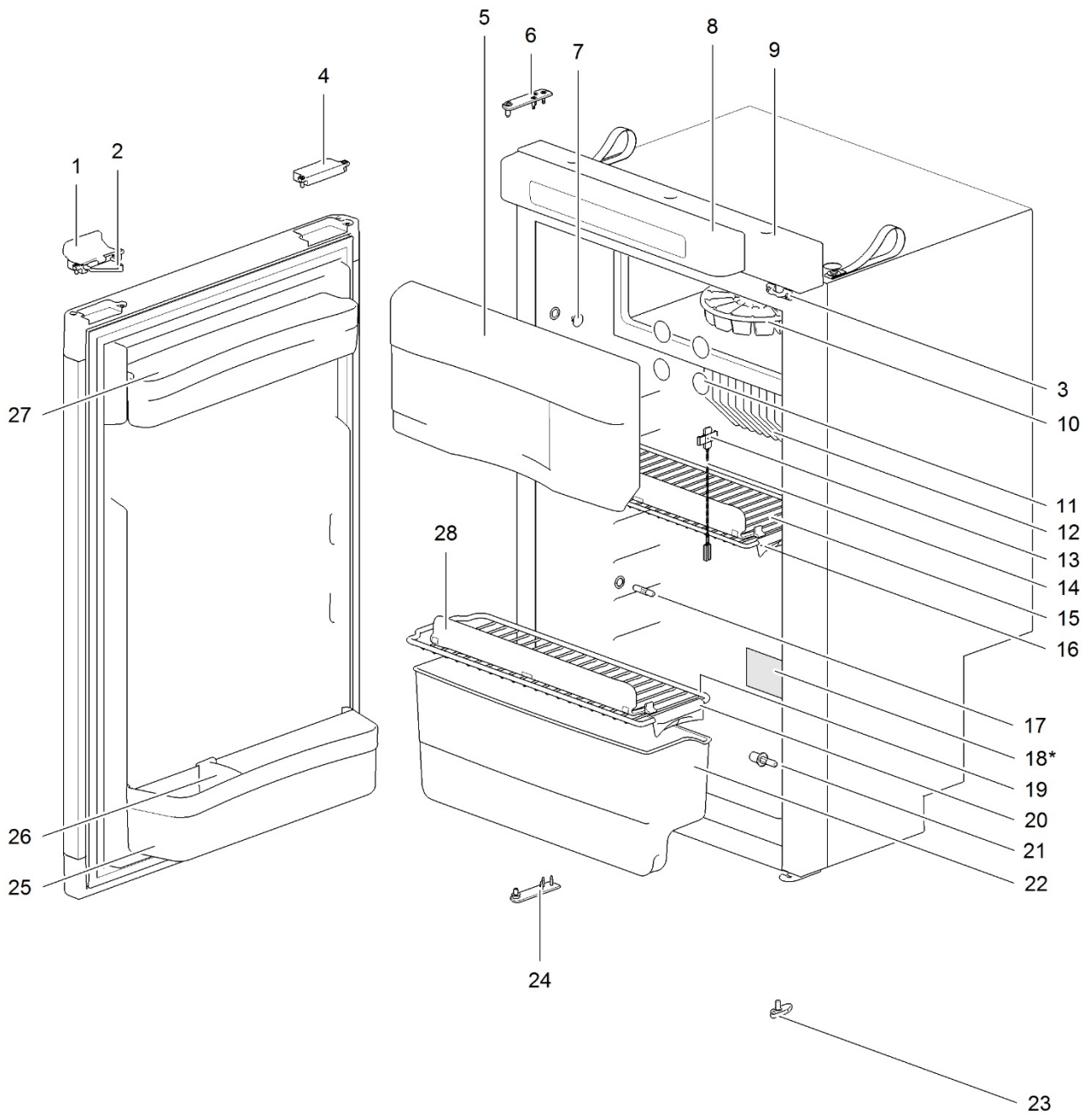
Front	24
Controls	34
Back	46

#### N4170

Front	26
Controls	32
Back	46

#### N4175

Front	28
Controls	34
Back	46



18\*

**SPECIMEN**

Model No	TYPE	CE
Series No	Chrom Class	1000
230 VAC / 50 Hz / 1.85 W / 12 VDC / 140 W		
Größe Volumen	100 L	
Netto Volumen		
Volumen Brutto		
Brutto Volumen		
Hersteller	C30G31 28-2007 mbar	
Druckvermögen	138P 0.300031 30 mbar	
Volumen Kompressor		
Volumen Kondensator		
Netto		
Brutto		
Volumen		
Brutto Volumen		
SS 0823 BK2287	Part No: 034497	
ABSORBER NH3 = 194.9 g	NASC04 = 10.1 g	g max = 21 kg
CFC-KGFC-FREI / PFKW-FREI	E20019	
	9028_SpecSheet_CDR	

LE974\_N3080-front\_1015-V03

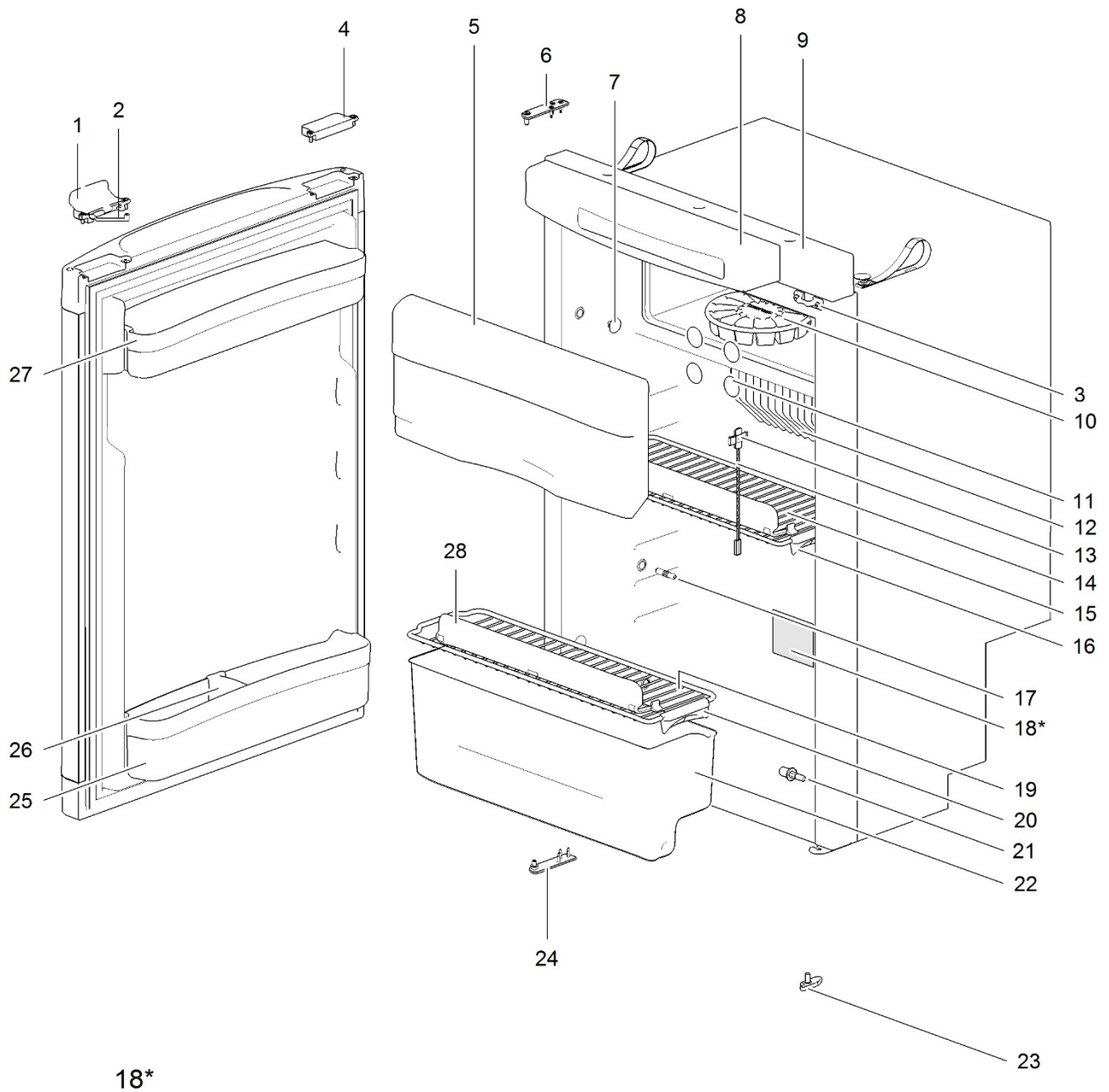
	Spare part number	Spare part number	Colours available
1	Latch		27
2	Storage strap (2x)	626986	27
3	Strike plate		
4	Pocket cover		
5	Freezer door		08
	Hinge freezer door (2x)	624680	08
6	Hinge plate		
7	Cap (2x)	623622	08
8	Control panel	<i>Refer to page 30</i>	
9	Mounting box		
10	Ice cube tray		
11	Cap freezer bolt (12x)	624479	08
12	Fin		
13	Fin clip		
14	Thermistor		
15	Shelf 416 x 176	690800	08
16	Clip shelf small	623626	08
17	Hinge pin		
18	Identification label *		
19	Shelf 416 x 130	690801	08
20	Clip shelf small	623626	08
21	Hinge pin		
22	Vegetable bin	690802	08
23	Latch bottom	624001	27
24	Hinge plate		
25	Door bin flat wide	690804	08
26	Bottle retainer	626989	12
27	Door bin flat shallow	690803	08
28	Shelf food retainer	691114	08

\* With a request for information or service, always provide the serial number of the refrigerator. The serial number is the code below the barcode on the identification label.



	Spare part number	Spare part number	Spare part number	Colours available
1	Latch			
2	Storage strap (2x)	626986	691468	27
3	Strike plate			
4	Pocket cover			
5	Freezer door		690852	08
	Hinge freezer door (2x)	624680		
6	Hinge plate			
7	Cap (2x)	623622		08
8	Control panel	<i>Refer to page 32</i>		
9	Mounting box			
10	Ice cube tray			
11	Cap freezer bolt (12x)	624479		08
12	Fin			
13	Fin clip		623077	
14	Thermistor			
15	Shelf 455 x 179	690814		08
16	Clip shelf small	623626		08
17	Hinge pin			
18	Identification label *			
19	Shelf 455 x 133	690815		08
20	Clip shelf small	623626		08
21	Hinge pin			
22	Vegetable bin	690816		08
23	Latch bottom	624001		27
24	Hinge plate			
25	Door bin flat wide	690818		08
26	Bottle retainer	626989		12
27	Door bin flat shallow	690817		08
28	Shelf food retainer	691188		08

\* With a request for information or service, always provide the serial number of the refrigerator. The serial number is the code below the barcode on the identification label.



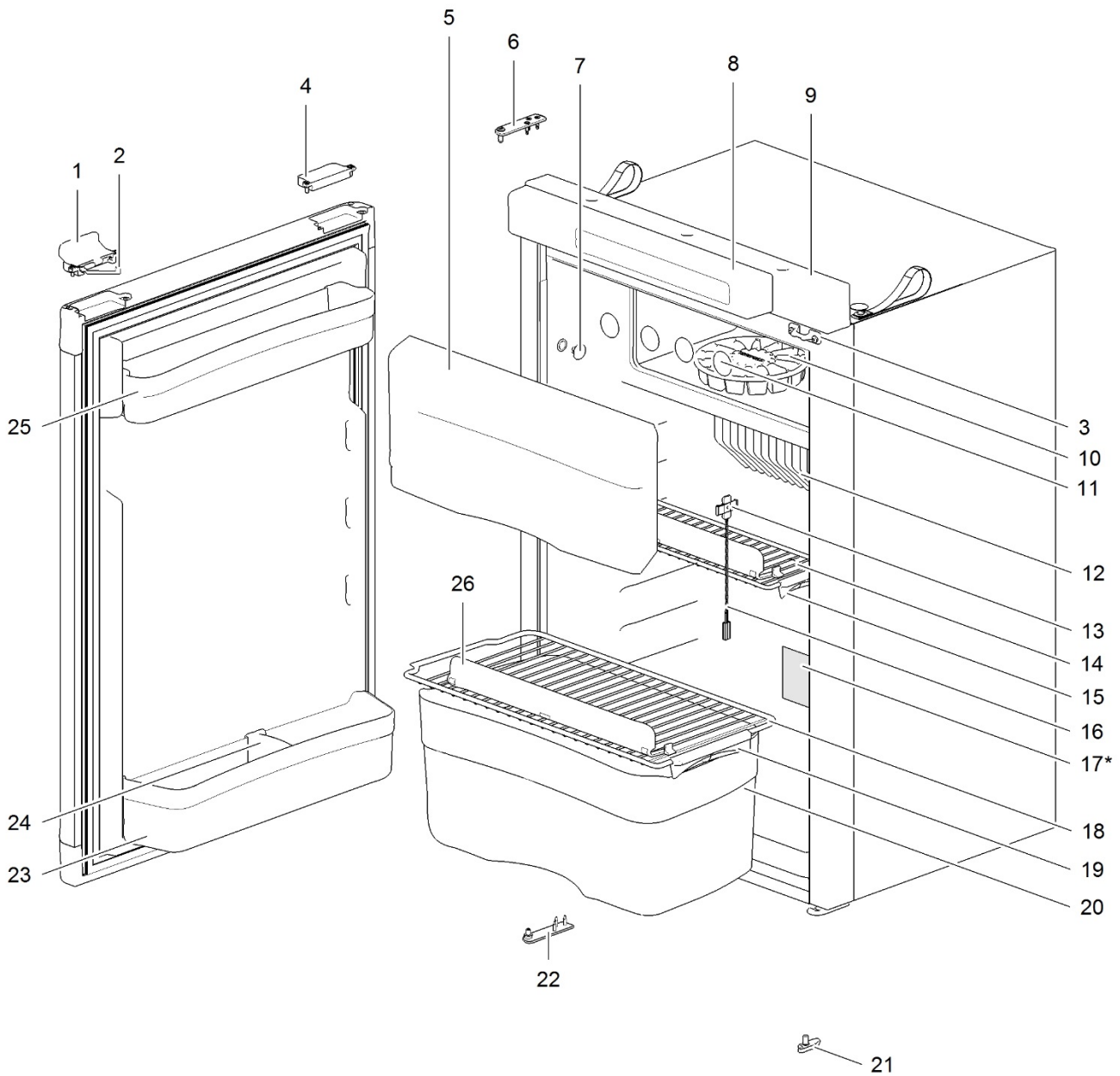
18\*



LE988\_N3097-front\_1015-V03

		Spare part number	Spare part number	Spare part number	Colours available
1	Latch				
2	Storage strap (2x)	626986	691739		27
3	Strike plate				
4	Pocket cover				
5	Freezer door		690852		08
	Hinge freezer door (2x)	624680			
6	Hinge plate				
7	Cap (2x)	623622			08
8	Control panel	<i>Refer to page 34</i>			
9	Mounting box				
10	Ice cube tray				
11	Cap freezer bolt (12x)	624479			08
12	Fin				
13	Fin clip			623077	
14	Thermistor				
15	Shelf 455 x 179	690814			08
16	Clip shelf small	623626			08
17	Hinge pin				
18	Identification label *				
19	Shelf 455 x 133	690815			08
20	Clip shelf small	623626			08
21	Hinge pin				
22	Vegetable bin	690816			08
23	Latch bottom	624001			27
24	Hinge plate				
25	Door bin flat wide	690824			08
26	Bottle retainer	626989			12
27	Door bin flat shallow	690823			08
28	Shelf food retainer	691188			08

\* With a request for information or service, always provide the serial number of the refrigerator. The serial number is the code below the barcode on the identification label.



17\*

<b>TRIFLEX</b> Model No. _____ Type C11 Serie No. _____	
230 VAC / 50 Hz / 155 W / 12 VDC / 140 W Climate Class GSD	
Gross Volume Netto Volume Volumen Brutto Volumen Netto	108 L 95 L 108 L 95 L
Freezer Volume Gefrierfach Volume Volumen Comp.	0/30/31/38/30/37 inches 0/30/31/38 inches 0/30/31/38 inches
App. Netto C.P. Volumen H2O Netto Volume	102 102 102 102
CE 0063 BR207 ABSORBER NH3 = 154,6 g N2O2R04 = 10,1 g g max = 21 kg CFC-HCFC-FREE / FKW-FCW-FREI	P/N No. 034507 830019 9020_Serial/Plage_EUR ED13N1000611

LE989\_N3100-front\_1015-V03



		Spare part number	Spare part number	Spare part number	Colours available
1	Latch				
2	Storage strap (2x)	626986	691468		27
3	Strike plate				
4	Pocket cover				
5	Freezer door		690852		
	Hinge freezer door (2x)	624680			08
6	Hinge plate				
7	Cap (2x)	623622			08
8	Control panel	<i>Refer to page 32</i>			
9	Mounting box				
10	Ice cube tray				
11	Cap freezer bolt (12x)	624479			08
12	Fin				
13	Fin clip			623077	
16	Thermistor				
14	Shelf 455 x 133	690815			08
15	Clip shelf small	623626			08
17	Identification label *				
18	Shelf 454 x 220	690828			08
19	Clip shelf large	623625			08
20	Vegetable bin	690829			08
21	Latch bottom	624001			27
22	Hinge plate				
23	Door bin flat wide	690818			08
24	Bottle retainer	626989			12
25	Door bin flat shallow	690817			08
26	Shelf food retainer	691188			08

\* With a request for information or service, always provide the serial number of the refrigerator. The serial number is the code below the barcode on the identification label.



		Spare part number	Spare part number	Spare part number	Colours available
1	Latch				
2	Storage strap (2x)	626986	691739		27
3	Strike plate				
4	Pocket cover				
5	Freezer door		690852		08
	Hinge freezer door (2x)	624680			
6	Hinge plate				
7	Cap (2x)	623622			08
8	Control panel	<i>Refer to page 34</i>			
9	Mounting box				
10	Ice cube tray				
11	Cap freezer bolt (12x)	624479			08
12	Fin				
13	Fin clip		623077		
14	Thermistor				
15	Shelf 455 x 133	690815			08
16	Clip shelf small	623626			08
17	Identification label *				
18	Shelf 454 x 220	690828			08
19	Clip shelf large	623625			08
20	Vegetable bin	690829			08
21	Latch bottom	624001			27
22	Hinge plate				
23	Door bin curved wide	690824			08
24	Bottle retainer	626989			12
25	Door bin curved shallow	690823			08
26	Shelf food retainer	691188			08

\* With a request for information or service, always provide the serial number of the refrigerator. The serial number is the code below the barcode on the identification label.



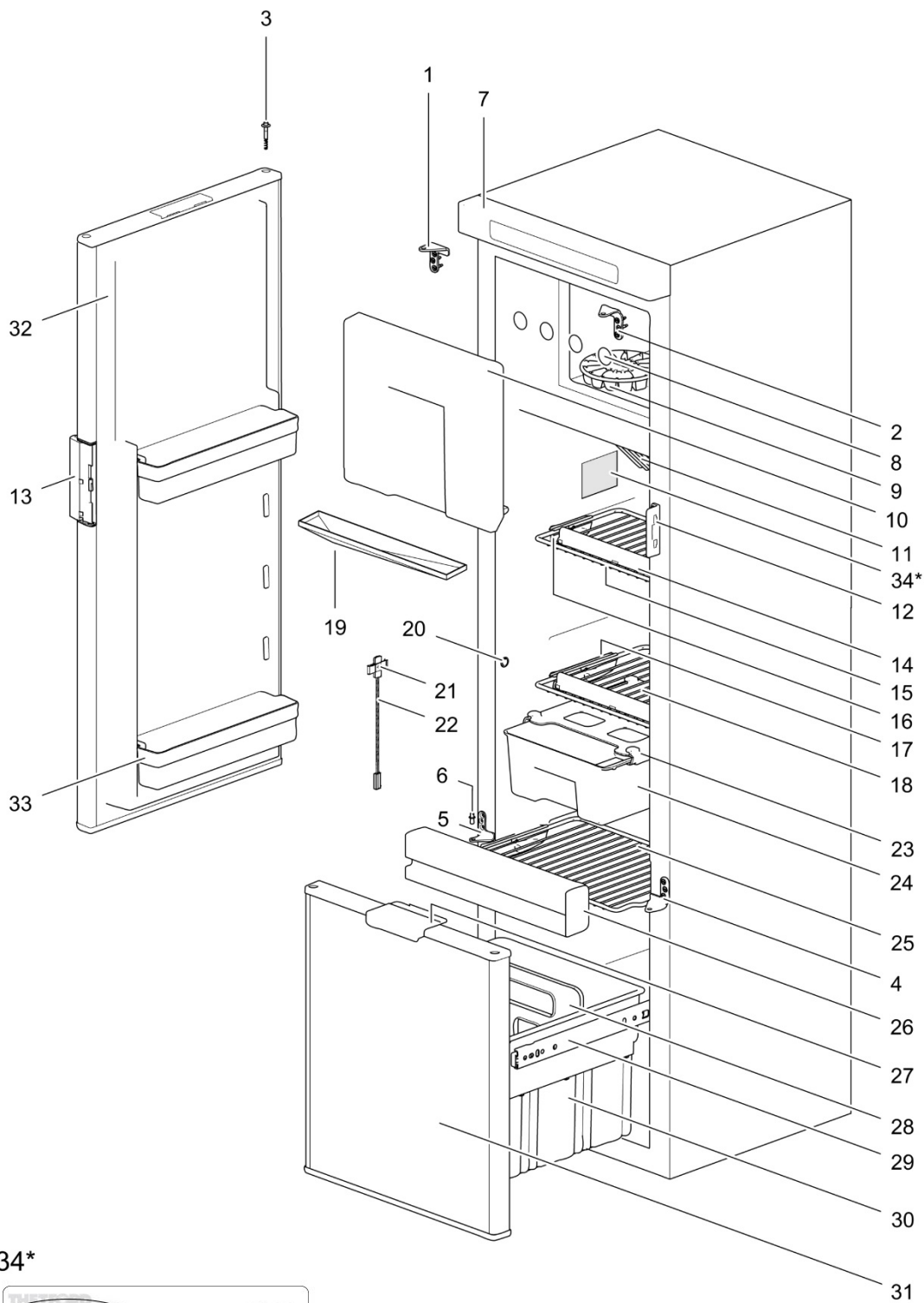
		Spare part number	Spare part number	Spare part number	Colours available
1	Latch				
2	Storage strap (2x)	626986	691468		27
3	Strike plate				
4	Pocket cover				
5	Freezer door		690852		
	Hinge freezer door (2x)	624680			08
6	Hinge plate				
7	Cap (2x)	623622			08
8	Control panel	<i>Refer to page 32</i>			
9	Mounting box				
10	Ice cube tray				
11	Cap freezer bolt (12x)	624479			08
12	Fin				
13	Fin clip			623077	
14	Thermistor				
15	Shelf 454 x 205	690831			08
16	Clip shelf large	623625			08
17	Identification label *				
18	Shelf 455 x 174	690832			08
19	Clip shelf small	623626			08
20	Vegetable bin	690833			08
21	Latch bottom	624001			27
22	Hinge plate				
23	Door bin flat wide	690818			08
24	Bottle retainer	626989			12
25	Door bin flat shallow	690817			08
26	Shelf food retainer	691188			08

\* With a request for information or service, always provide the serial number of the refrigerator. The serial number is the code below the barcode on the identification label.



		Spare part number	Spare part number	Spare part number	Colours available
1	Latch				
2	Storage strap (2x)	626986	691739		27
3	Strike plate				
4	Pocket cover				
5	Freezer door		690852		
	Hinge freezer door (2x)	624680			08
6	Hinge plate				
7	Cap (2x)	623622			08
8	Control panel LED	<i>Refer to page 34</i>			
9	Mounting box				
10	Ice cube tray				
11	Cap freezer bolt (12x)	624479			08
12	Fin				
13	Fin clip			623077	
14	Thermistor				
15	Shelf 454 x 205	690831			08
16	Clip shelf large	623625			08
17	Identification label *				
18	Clip shelf large	623625			08
19	Vegetable bin	690834			08
20	Latch bottom	624001			27
21	Hinge plate				
22	Door bin curved wide	690824			08
23	Bottle retainer	626989			12
24	Door bin curved shallow	690823			08
25	Shelf food retainer	691188			08

\* With a request for information or service, always provide the serial number of the refrigerator. The serial number is the code below the barcode on the identification label.



34\*



LE1111\_N3141-front



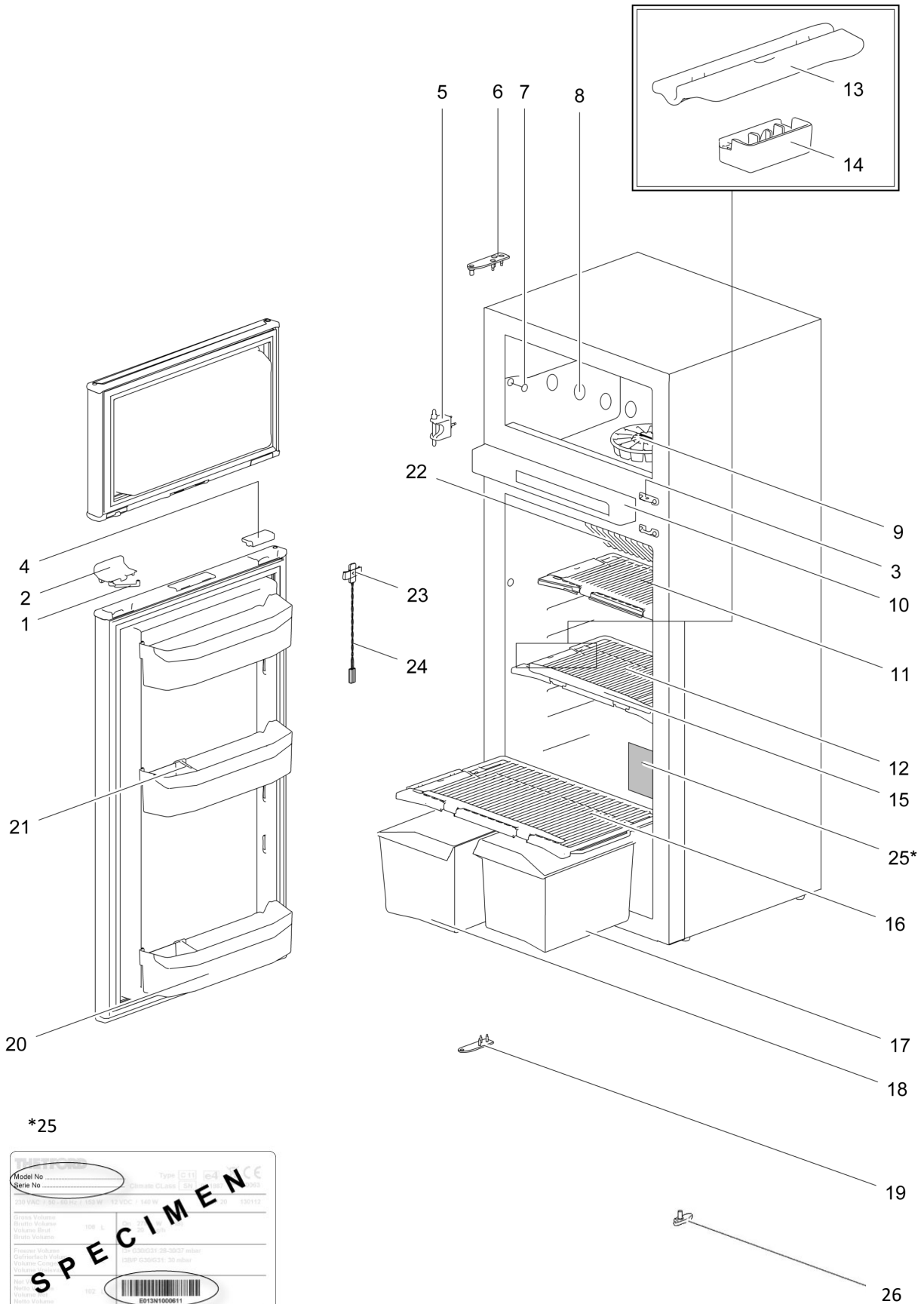
		Spare part number	Spare part number	Colours available
1	Hinge plate top left	691456		27
2	Hinge plate top right			
3	Hinge pin (including spring)			
4	Hinge plate bottom right			
5	Hinge plate bottom left			
6	Hinge pin bottom			
7	Control panel	<i>Refer to page 38</i>		
8	Cap freezer bolt (12x)	624479		08
9	Ice cube tray			
10	Freezer door		691112	08
	Hinge freezer door (2x)	624680		
11	Fin			
12	Door lock plate		691113	
13	Door handle			
14	Shelf food retainer	691114		08
15	Shelf 340 x 182	691115		08
16	Clip shelf small	623626		08
17	Clip shelf large	623625		08
18	Shelf 340 x 241	691116		08
19	Drip tray	691885		08
20	Cap (2x)	623622		08
21	Fin clip		623077	
22	Thermistor			
23	Guiding cover	691118		08
24	Slide-out box	692253		144
25	Shelf 340 x 268	691117		08
26	Divider bar	Not available		
27	Drawer handle	691287		27
28	Drawer divider	691120		08
29	Drawer guides	691123		
30	Drawer bin	691288		08
31	Drawer door	690521		27R
32	Cabinet door	690519		27R
33	Door bin	692254		144
34	Identification label*			
NA	Clip - door conversion (2x)	691127		

\* With a request for information or service, always provide the serial number of the refrigerator. The serial number is the code below the barcode on the identification label.



		Spare part number	Spare part number	Colours available
1	Hinge plate left	691456		27
2	Hinge plate right			
3	Hinge pin (including spring)			
4	Hinge plate bottom right			
5	Hinge plate bottom left			
6	Hinge pin bottom			
7	Control panel	<i>Refer to page 38</i>		
8	Cap freezer bolt (12x)	624479		08
9	Ice cube tray			
10	Freezer door		691112	08
	Hinge freezer door (2x)	624680		
11	Fin			
12	Door lock plate		691113	
13	Door handle			
14	Shelf food retainer	691114		08
15	Shelf 340 x 182	691115		08
16	Clip shelf small	623626		08
17	Clip shelf large	623625		08
18	Shelf 340 x 241	691116		08
19	Drip tray	691885		08
20	Cap (2x)	623622		08
21	Fin clip		623077	
22	Thermistor			
23	Guiding cover	691118		08
24	Slide-out box	692253		144
25	Drawer divider	691120		08
26	Drawer guides	691122		
27	Drawer bin	691457		08
28	Cabinet door	690517		27R
29	Door bin	692254		144
30	Identification label*			
NA	Clip - door conversion (2x)	691127		

\* With a request for information or service, always provide the serial number of the refrigerator. The serial number is the code below the barcode on the identification label.



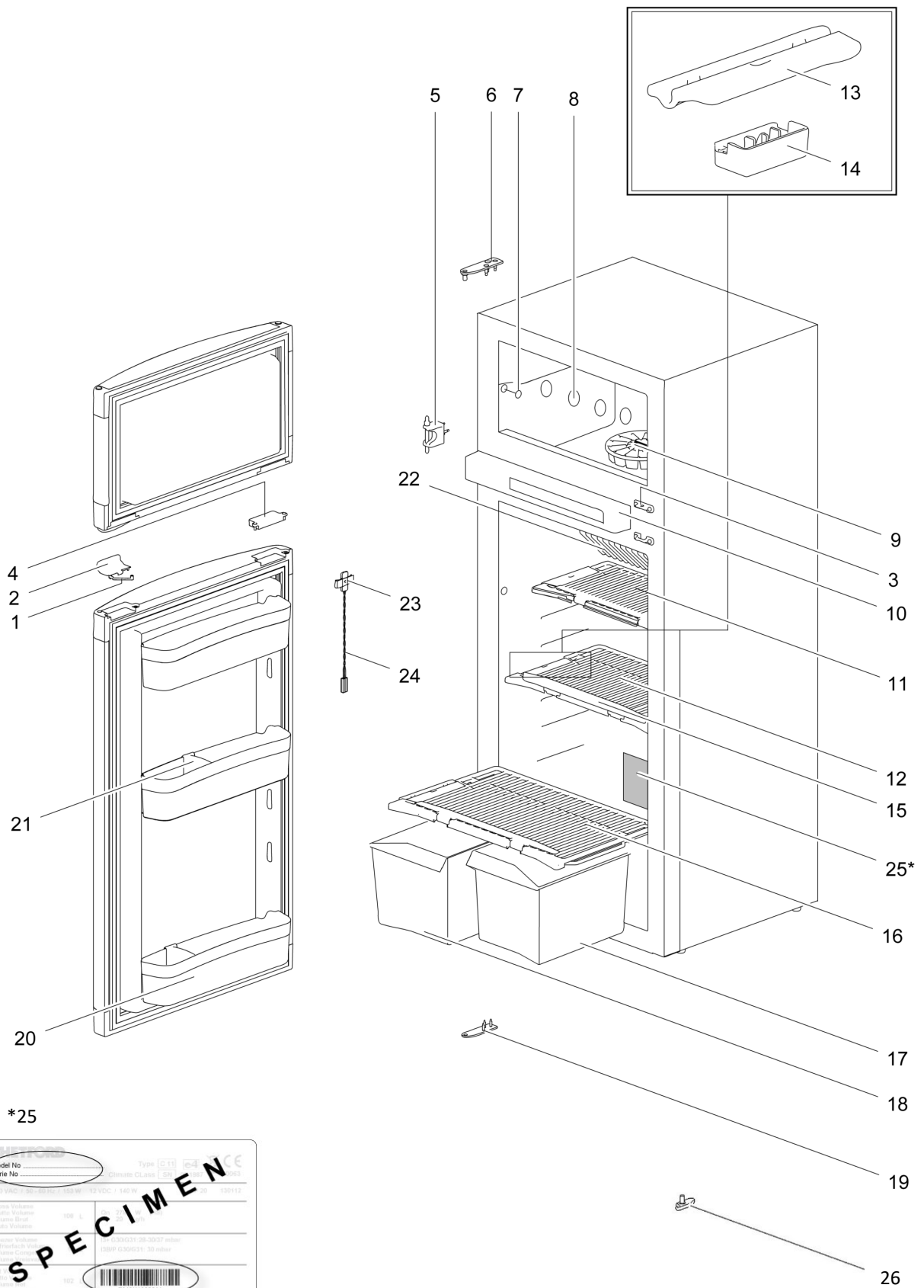
\*25

Model No	Typ	CE	CE
Serie No	CHARM CLASS	EN	EN
<b>SPECIMEN</b>			
Größe Volumen	198 L		
Statische Volumen			
Volumen Brutt			
Netto Volumen			
Freier Volumen			
Gefrierfach Vol	120/231 20-2027 ml/m		
Volumen Gefrierfach			
Volumen Gefrierfach	120/231 20-2027 ml/m		
Netto Volumen			
Netto Volumen			
Netto Volumen			
CE 0043 BX2297	Part No	E34807	
ABSORBER	N45 = 154,9 g	N42/208 = 10,1 g	p max = 21 bar
CPFC/HCFC, FREE / FKW, FCKW FREE			920019 9020_SchWF10sp_EUR

N3145-front\_0718-V04

		Spare part number	Spare part number	Spare part number	Colours available
1	Storage strap (2x)	626986	691468		27
2	Latch				
3	Strike plate				
4	Pocket cover				
5	Hinge center				
6	Hinge plate				
7	Cap (2x)	623622			08
8	Cap freezer bolt (12x)	624479			08
9	Ice cube tray				
10	Control panel	<i>Refer to page 32</i>			
11	Shelf rack 415 x 150	692510			144
12	Shelf rack 415 x 200	692511			144
13	Clip shelf rack small	692513			08
14	Clip rack safety lock	692515			08
15	Food retainer	692516			08
16	Shelf rack 415 x 200	692511			144
17	Vegetable bin right	692523			144
18	Vegetable bin left	692522			144
19	Hinge Plate				
20	Door bin flat	692519			144
21	Bottle retainer	692521			08
22	Fin				
23	Fin clip			623077	
24	Thermistor				
25*	Identification label				
26	Bottom latch	624001			27

\* With a request for information or service, always provide the serial number of the refrigerator. The serial number is the code below the barcode on the identification label.



\*25

<b>TRISTAR</b> Model No. <input type="text"/> Type <b>C11</b> Serie No. <input type="text"/> Climate Class <b>S1</b>	
Gross Volume Brutto Volumen Volume Brat Brutto Volumen	150 L 150 L 150 L 150 L
Frost-free Volume Gelfreies Volumen Volume Comp Volumen ohne Frost	100 L 100 L 100 L 100 L
Net Volume Netto Volumen Netto Volumen	100 L 100 L 100 L
CE 0002 000007 Part No. 024007 ABSORBER NH3 = 154,8 g NAZEROL = 10,1 g p.max = 21 bar CFC/HCFC, FREE / FKW, FCKW FREE	

SPECIMEN

N3150-front\_0718-V04

		Spare part number	Spare part number	Spare part number	Colours available
1	Storage strap (2x)	626986	691739		27
2	Latch				
3	Strike plate				
4	Pocket cover				
5	Hinge center				
6	Hinge plate				
7	Cap (2x)	623622			08
8	Cap freezer bolt (12x)	624479			08
9	Ice cube tray				
10	Control panel	<i>Refer to page 32</i>			
11	Shelf rack 415 x 150	692510			144
12	Shelf rack 415 x 200	692511			144
13	Clip shelf rack small	692513			08
14	Clip rack safety lock	692515			08
15	Food retainer	692516			08
16	Shelf rack 415 x 200	692511			144
17	Vegetable bin right	692523			144
18	Vegetable bin left	692522			144
19	Hinge Plate				
20	Door bin curved	692520			144
21	Bottle retainer	692521			08
22	Fin				
23	Fin clip (3x)			623077	
24	Thermistor				
25*	Identification label				
26	Bottom latch	624001			27

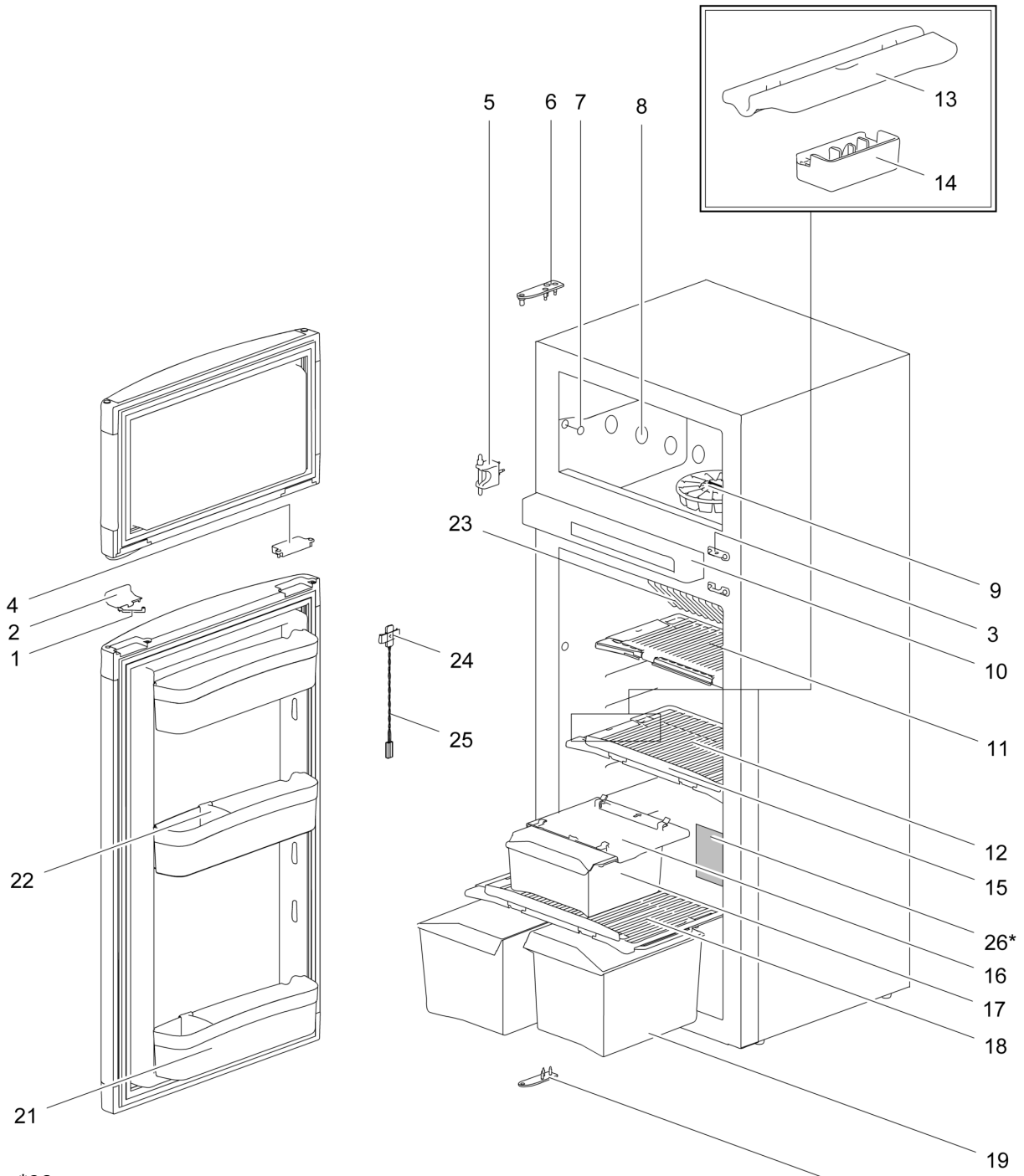
\* With a request for information or service, always provide the serial number of the refrigerator. The serial number is the code below the barcode on the identification label.





		Spare part number	Spare part number	Spare part number	Colours available
1	Storage strap (2x)	626986	691468		27
2	Latch				
3	Strike plate				
4	Pocket cover				
5	Hinge center				
6	Hinge plate				
7	Cap (2x)	623622			08
8	Cap freezer bolt (12x)	624479			08
9	Ice cube tray				
10	Control panel	<i>Refer to page 32</i>			
11	Shelf rack 415 x 200	692511			144
12	Shelf rack 415 x 250	692512			144
13	Clip shelf rack small	692513			08
14	Clip rack safety lock	692515			08
15	Food retainer	692516			08
16	Slide out box guide	692518			144
17	Slide out box	692517			144
18	Shelf rack 415 x 250	692512			144
19	Vegetable bin reversible	692524			144
20	Hinge plate				
21	Door bin flat	692519			144
22	Bottle retainer	692521			08
23	Fin				
24	Fin clip		623077		
25	Thermistor				
26*	Identification label				
27	Bottom latch	624001			27

\* With a request for information or service, always provide the serial number of the refrigerator. The serial number is the code below the barcode on the identification label.



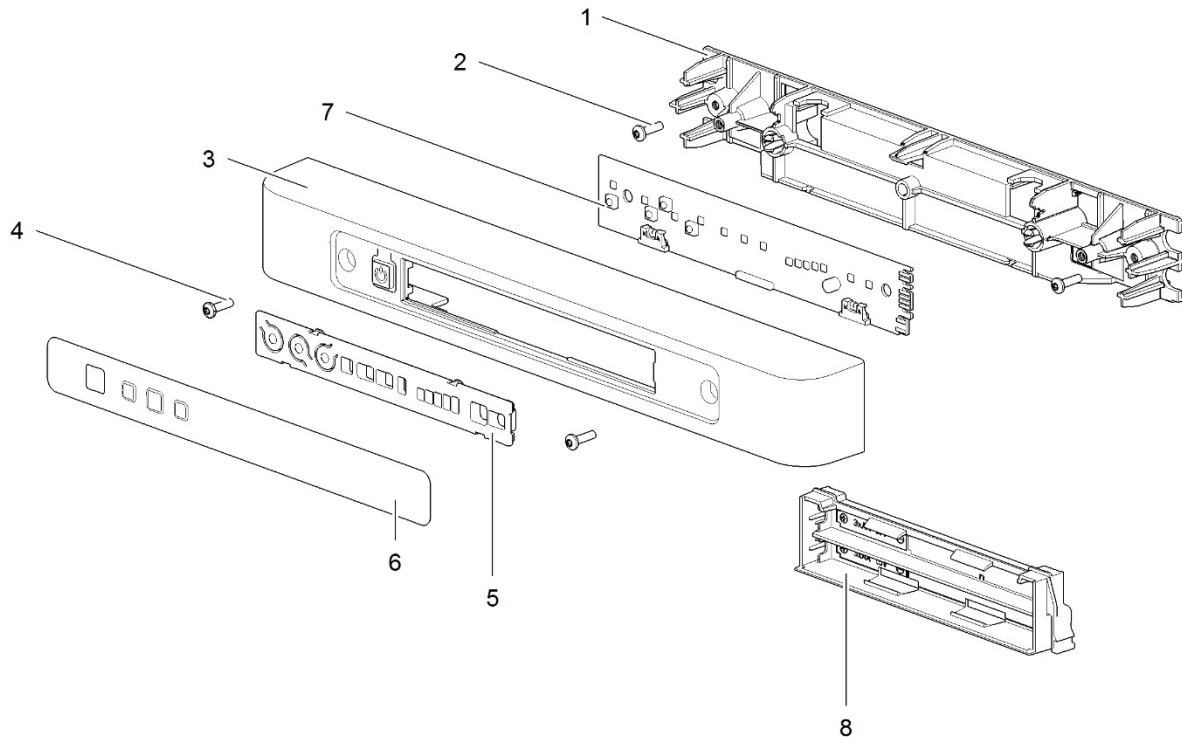
\*26

<b>Model No</b> Serie No		Type <b>C11</b> <b>64</b> Climate Class <b>T3</b> <b>T4</b> <b>T5</b>	
230 VAC / 50 Hz / 150 W / 12 VDC / 140 W		130112	
Gross Volume Netto Volume Schenke Brutt Netto Volume	100 L		
Pressure Volume Kühlmittel Volume Volumen Compres Volumen	100g/31.28-30.27 mlbar 100g/ 0.300/1. 30 mlbar		
Top Volume Bottom Volume Netto Volume	100		
CE 0803 042207 Part No 034807			
ABSORBER NH3 = 154.9 g HAZCRO4 = 10.1 g p max = 21 bar			
100% HCFC FREE / 100% CFCW FREE		R20012 8030_SerieFridge_EUR	

LE1063-N3170-front\_0518-V04

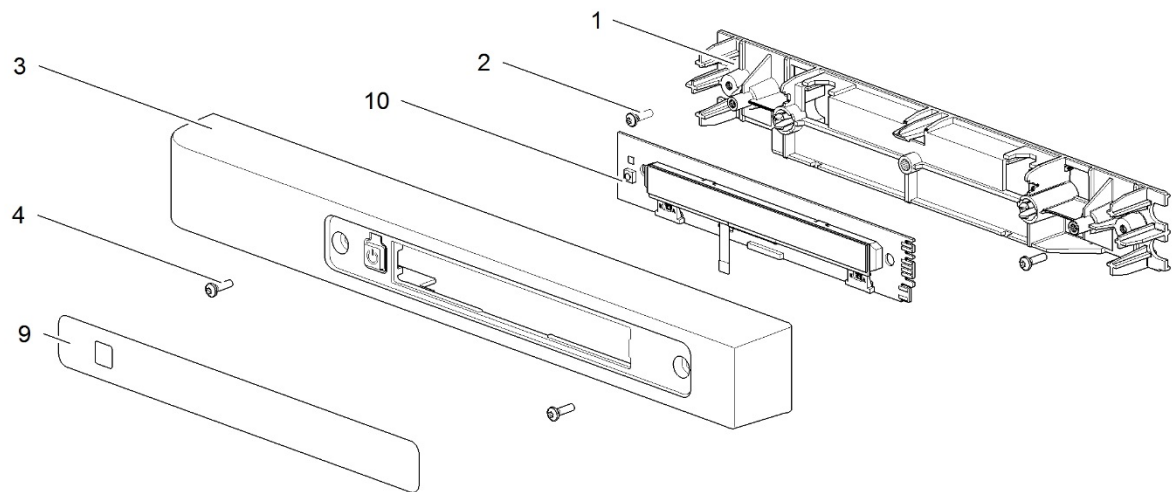
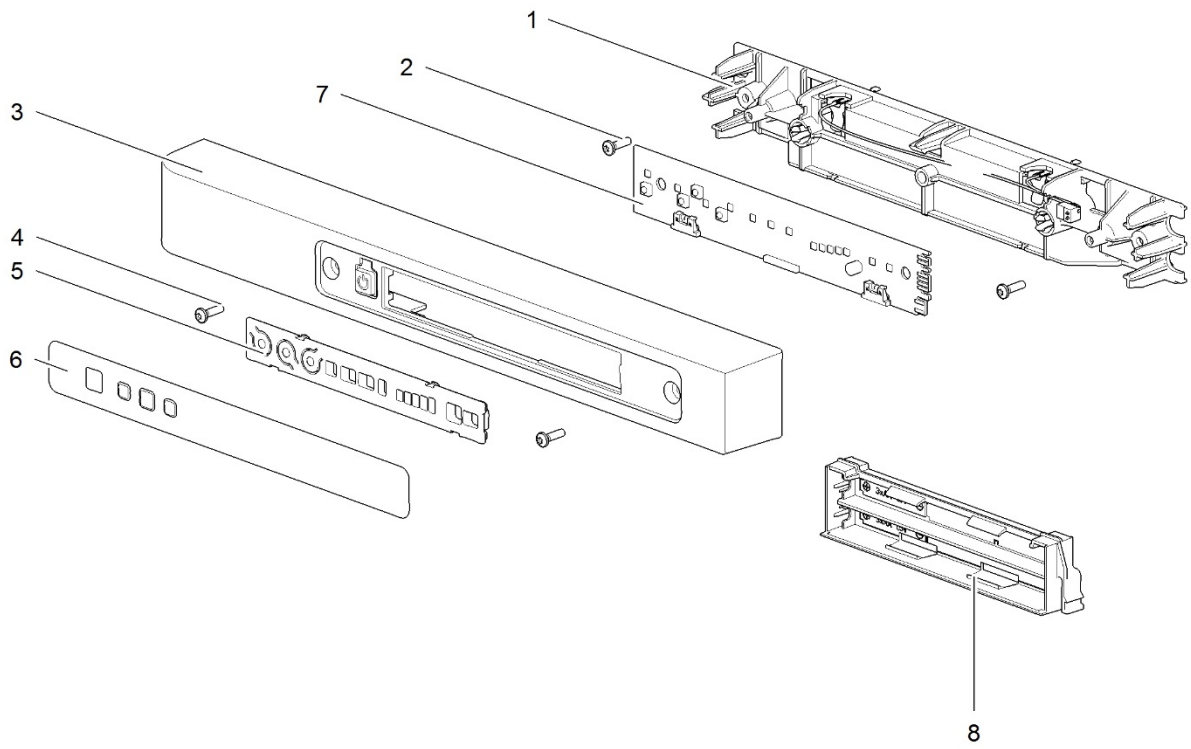
		Spare part number	Spare part number	Spare part number	Colours available
1	Storage strap (2x)	626986	691739		27
2	Latch				
3	Strike plate				
4	Pocket cover				
5	Hinge center				
6	Hinge plate				
7	Cap (2x)	623622			08
8	Cap freezer bolt (12x)	624479			08
9	Ice cube tray				
10	Control panel	<i>Refer to page 32</i>			
11	Shelf rack 415 x 200	692511			144
12	Shelf rack 415 x 250	692512			144
13	Clip shelf rack small	692513			08
14	Clip rack safety lock	692515			08
15	Food retainer	692516			08
16	Slide out box guide	692518			144
17	Slide out box	692517			144
18	Shelf rack 415 x 250	692512			144
19	Vegetable bin reversible	692524			144
20	Hinge plate				
21	Door bin curved	692520			144
22	Bottle retainer	692521			08
23	Fin				
24	Fin clip		623077		
25	Thermistor				
26*	Identification label				
27	Bottom latch	624001			27

\* With a request for information or service, always provide the serial number of the refrigerator. The serial number is the code below the barcode on the identification label.



		Spare part number	Spare part number	Spare part number	Colours available
1	Technical panel flat	690806			
2	Screws				
3	Housing flat	690807			27
4	Screws				
5	Overlay LED+		692242		
6	Sticker LED+	692240		692243	
7	PCB LED+ DM				
	PCB LED+ DM FOR BATTERY PACK			692244 <sup>1</sup>	
8	Battery hatch				
	Battery pack	690225			27

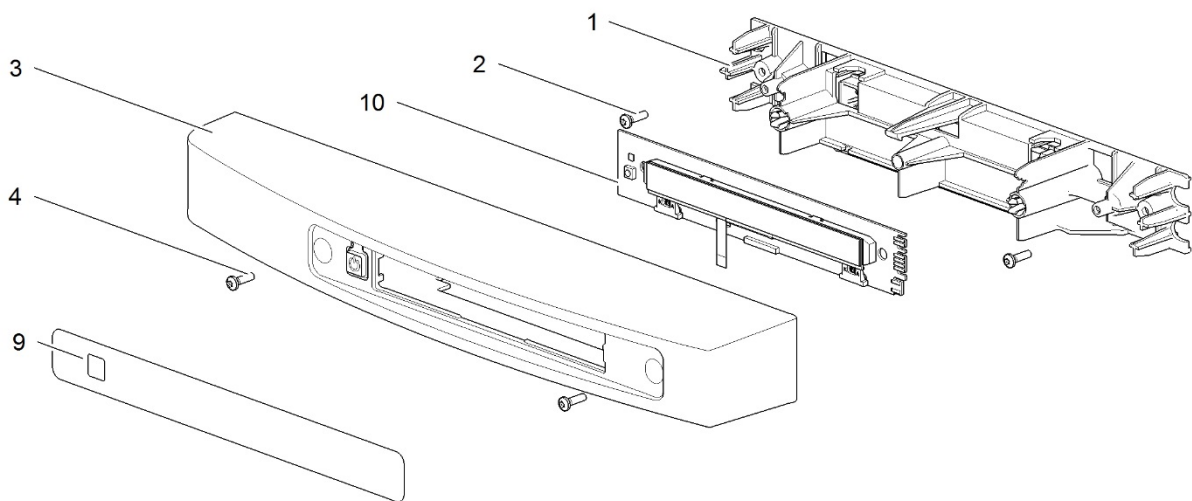
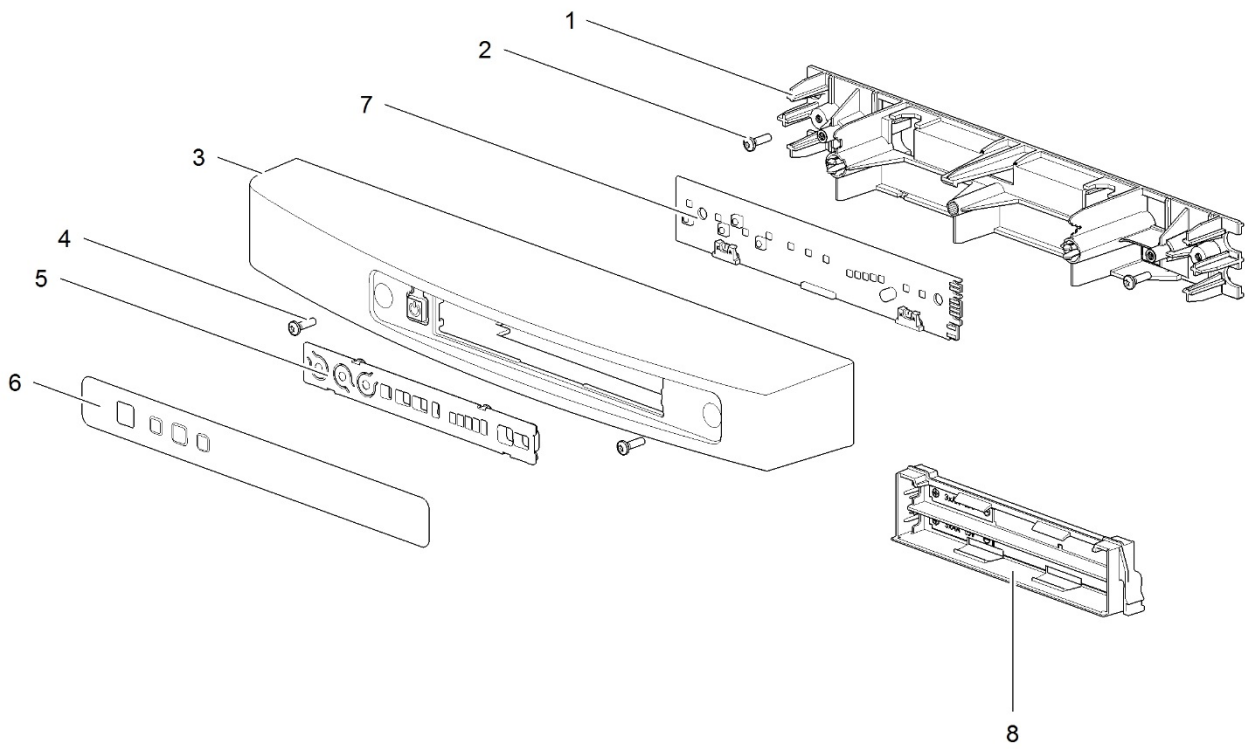
<sup>1</sup>including spare part 'sticker LED+' (#6)



LE1004\_Control Panel+flat525\_1214-V04

		Spare part number	Spare part number	Spare part number	Colours available
1	Technical panel flat	690806			
2	Screws				
3	Housing flat				
	Right hinged flat door 10 mm	691463			27
	Left hinged flat door 10 mm	691464			27
4	Screws				
5	Overlay LED+		692242		
6	Sticker LED+	692240		692243	
7	PCB LED+ DM				
	PCB LED+ DM FOR BATTERY PACK			692244 <sup>1</sup>	
8	Battery hatch				
	Battery pack	690225			27
9	Sticker LCD	692241			
			692245		
10	PCB LCD DM				

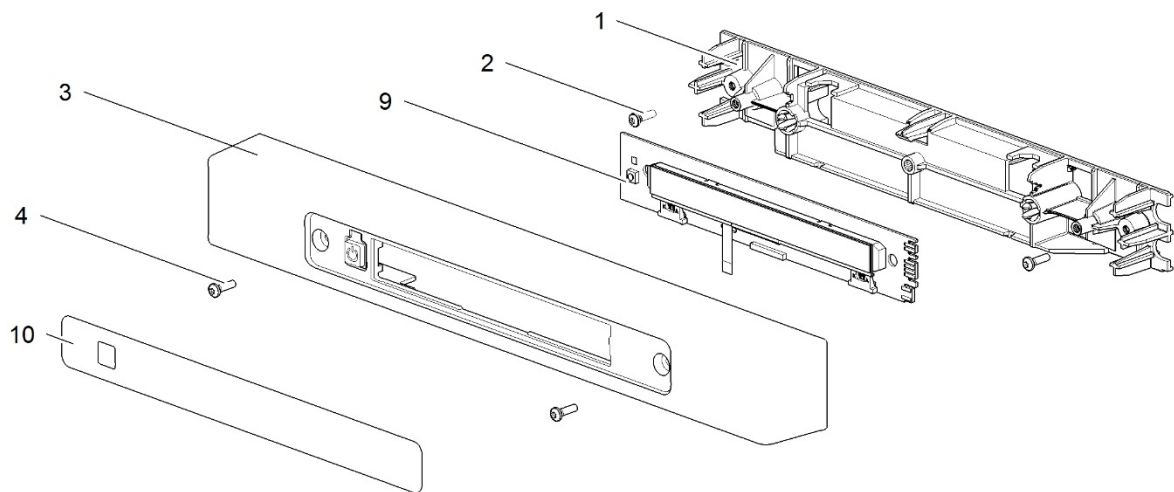
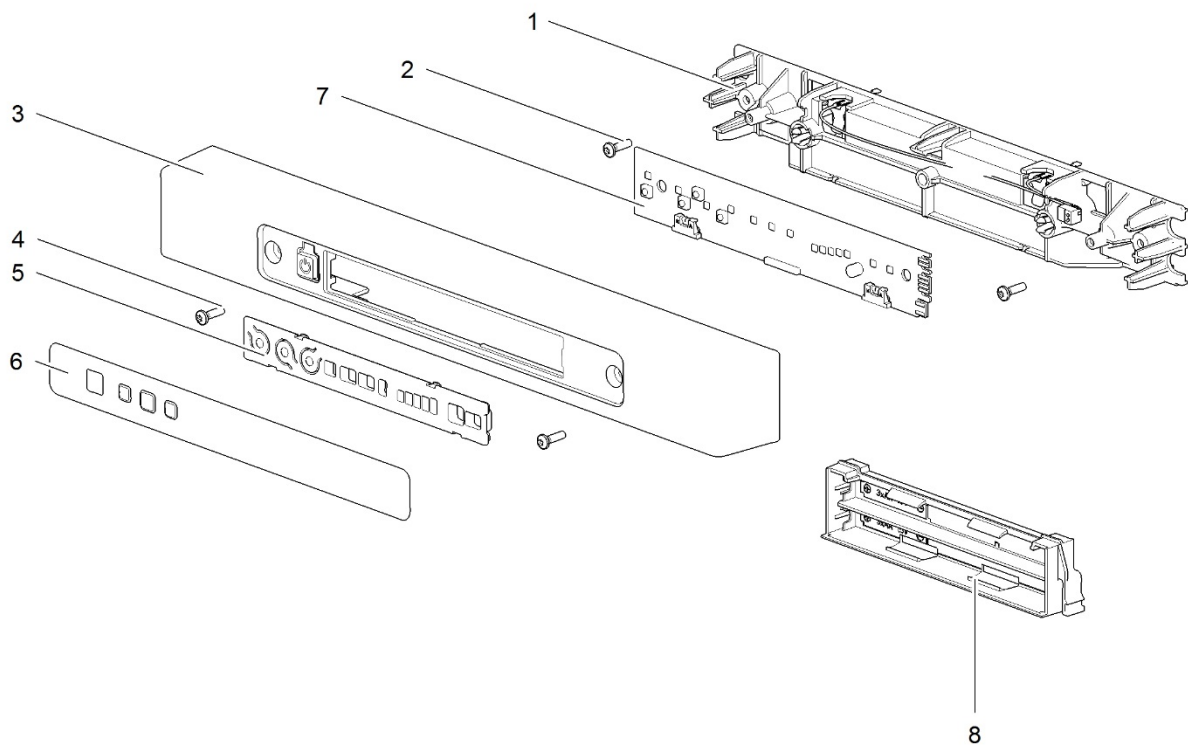
<sup>1</sup> including spare part 'Sticker LED+' (#6)





		Spare part number	Spare part number	Spare part number	Colours available
1	Technical panel curved	690825			
2	Screws				
3	Housing curved				
	Right hinged	690826			27
	Left hinged	690827			27
4	Screws				
5	Overlay LED+		692242		
6	Sticker LED+	692240		692243	
7	PCB LED+ DM				
	PCB LED+ DM FOR BATTERY PACK			692244 <sup>1</sup>	
8	Battery hatch				
	Battery pack	690225			27
9	Sticker LCD	692241			
10	PCB LCD DM		692245		

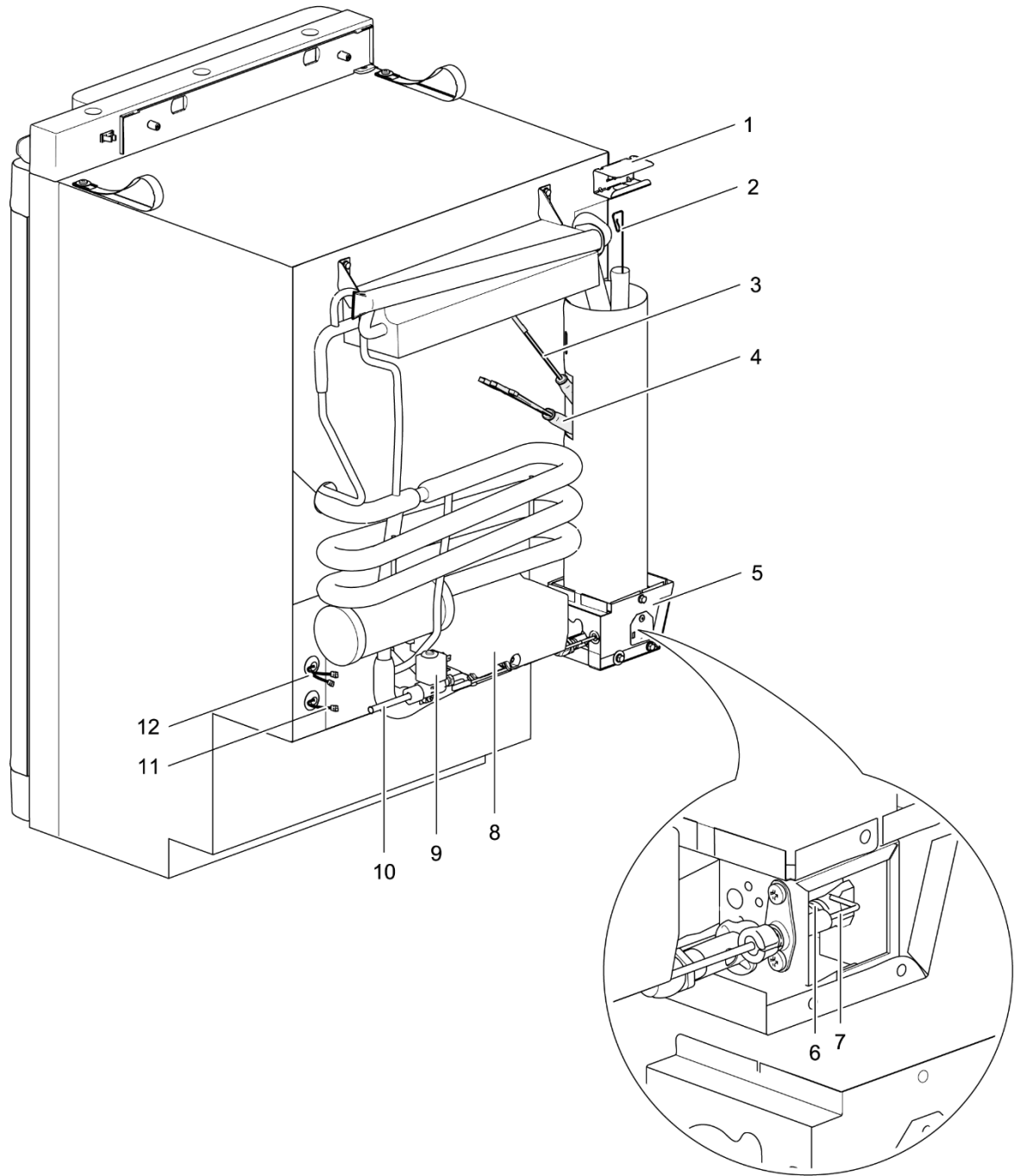
<sup>1</sup> including spare part 'Sticker LED+' (#6)



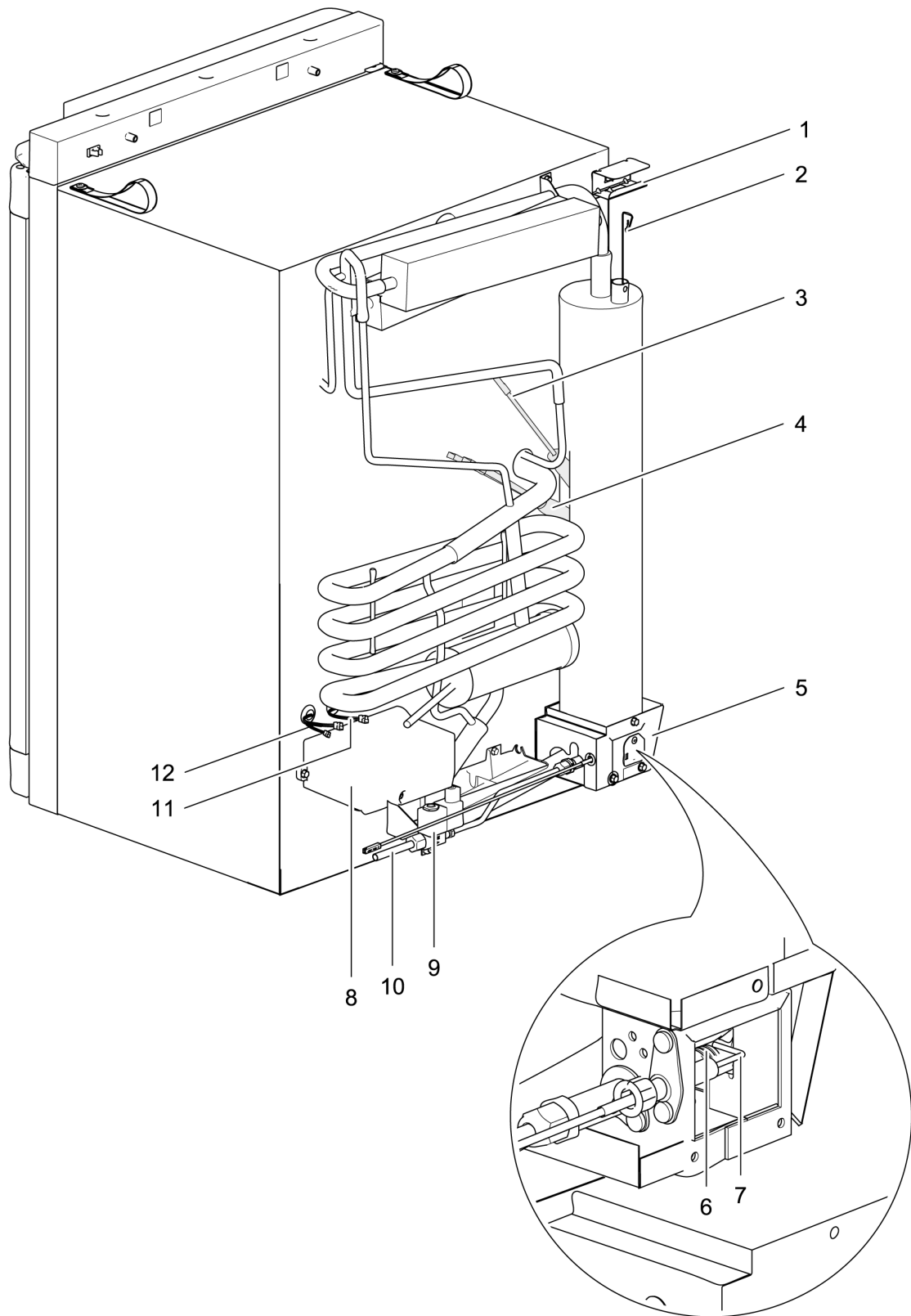
		Spare part number	Spare part number	Spare part number	Colours available
1	Technical panel flat	691102			
2	Screws				
3	Housing flat		691104		27
4	Screws				
5	Overlay LED+		692242		
6	Sticker LED+	692240		692243	
7	PCB LED+ DM				
	PCB LED+ DM FOR BATTERY PACK			692244 <sup>1</sup>	
8	Battery hatch				
	Battery pack	690225			27
9	PCB LCD DM				
10	Sticker LCD	692241	692245		

<sup>1</sup> including spare part 'Sticker LED+' (#6)

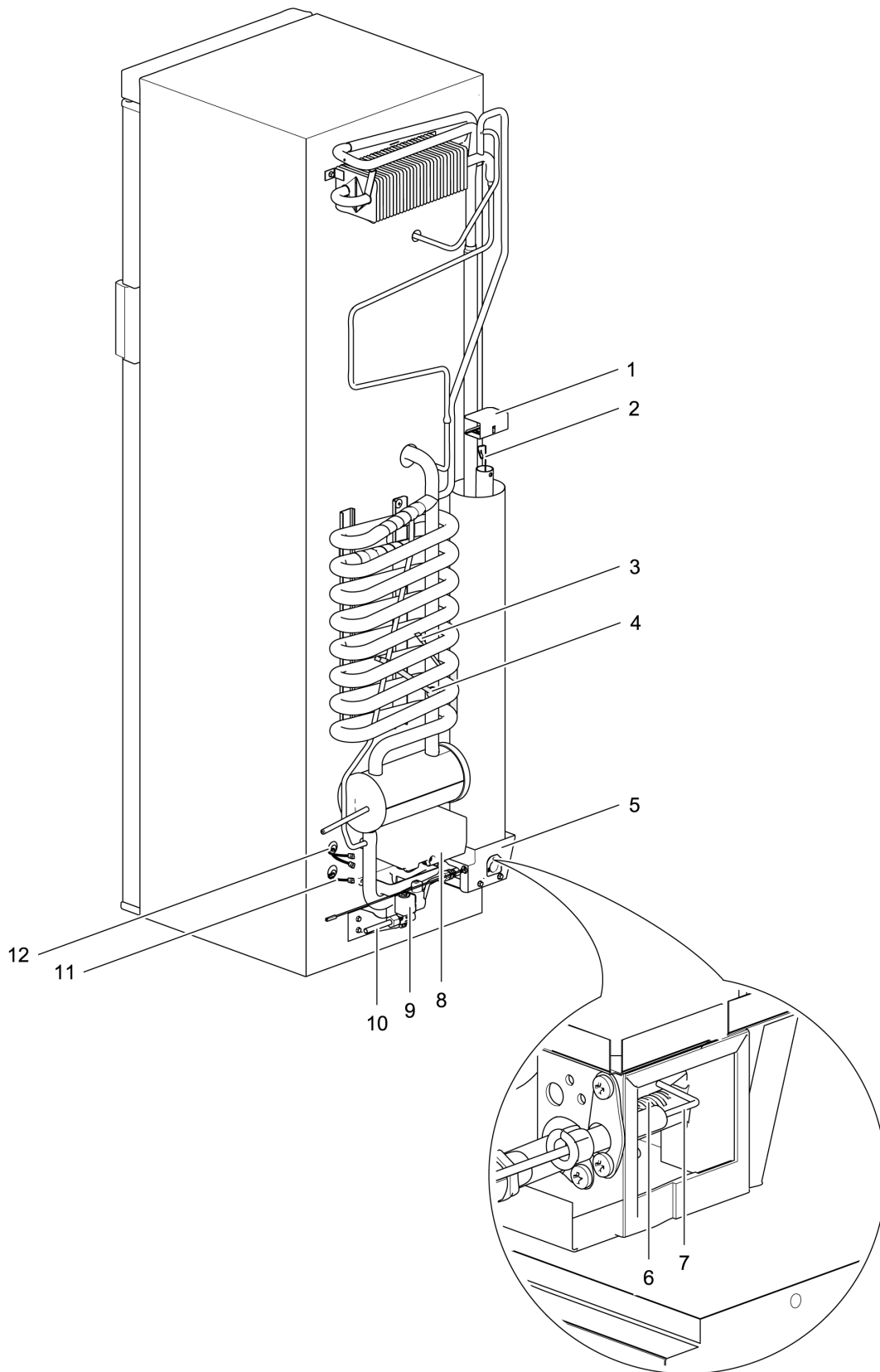
N4080-N4090-N4097-N4108-N4112-back



		Spare part number	Spare part number	Colours available
1	Heat cap	690812		
2	Heat diffuser	690878		
3	Heater AC	692250		
4	Heater DC	633574		
5	Heater box			
6	Burner assembly	634570		
7	Spark electrode	690813		
8	Power control board	692247		
9	Gas valve	690810		
10	Gas pipe			
11	Thermistor cable			
	Loose connector temperature <i>power board side</i>	690855	690853	
12	Communication cable			
	Loose connectors communication and CI-bus	690856	690854	



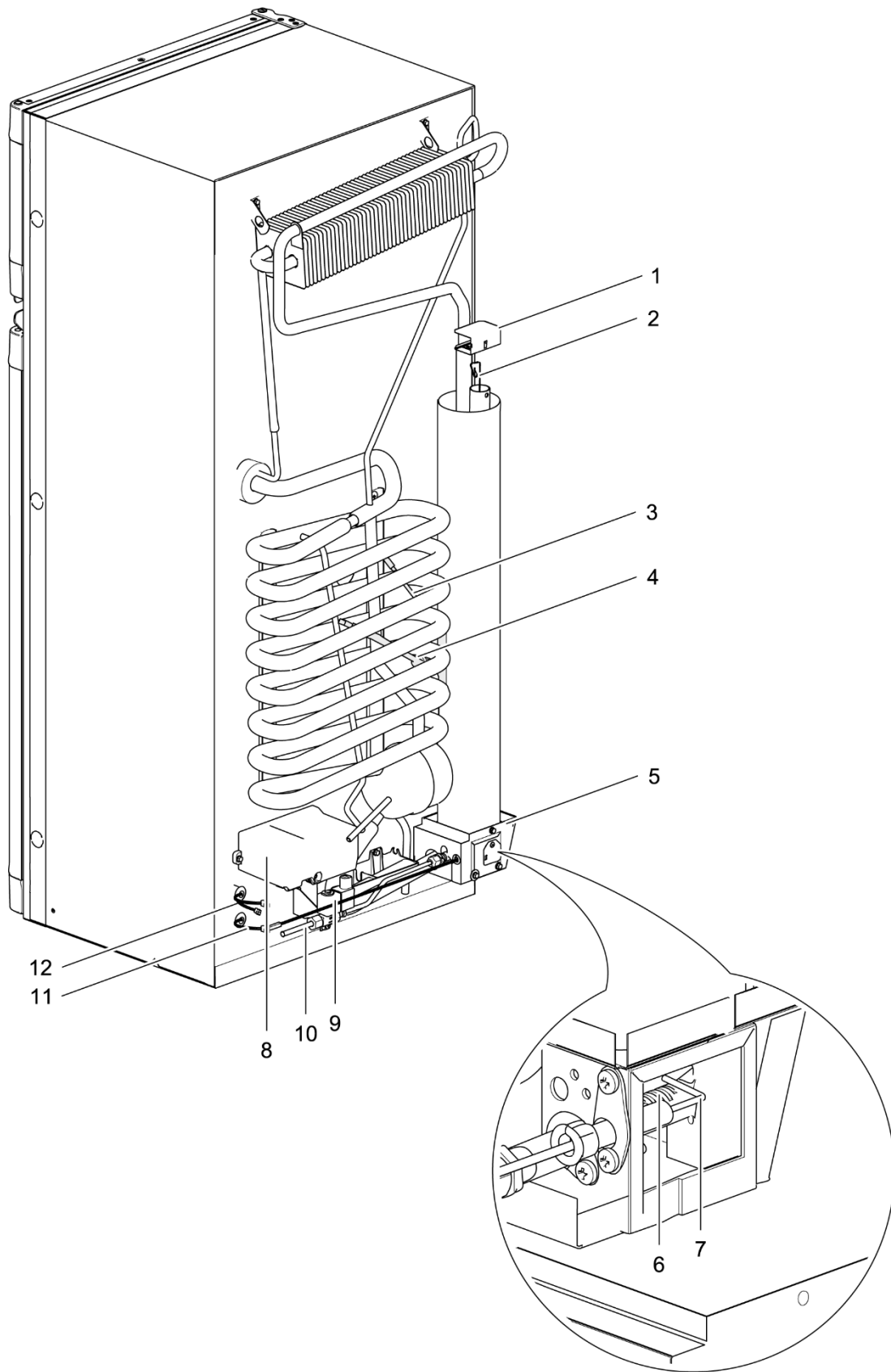
		Spare part number	Spare part number	Colours available
1	Heat cap	690812		
2	Heat diffuser	690878		
3	Heater AC	692250		
4	Heater DC	633574		
5	Heater box			
6	Burner assembly	623019		
7	Spark electrode	690830		
8	Power control board	692247		
9	Gas valve	690810		
10	Gas pipe			
11	Thermistor cable			
	Loose connector temperature <i>power board side</i>	690855	690853	
12	Communication cable			
	Loose connectors communication and CI-bus	690856	690854	



N4141-N4142-back



		Spare part number	Spare part number	Colours available
1	Heat cap	690839		
2	Heat diffuser	692583		
3	Heater AC	691193		
4	Heater DC	691125		
5	Heater box			
6	Burner assembly	623058		
7	Spark electrode	690840		
8	Power control board	692247		
9	Gas valve	690810		
10	Gas pipe			
11	Thermistor cable			
	Loose connector temperature <i>power board side</i>	690855	690853	
12	Communication cable			
	Loose connectors communication and CI-bus	690856	690854	



N4145-N4150-N4170-N4175-back

		Spare part number	Spare part number	Colours available
1	Heat cap	690839		
2	Heat diffuser	690879		
3	Heater AC	691193		
4	Heater DC	691125		
5	Heater box			
6	Burner assembly	623058		
7	Spark electrode	690840		
8	Power control board	692247		
9	Gas valve	690810		
10	Gas pipe			
11	Thermistor cable			
	Loose connector temperature <i>power board side</i>	690855	690853	
12	Communication cable			
	Loose connectors communication and CI-bus	690856	690854	

<b>Colour Numbers</b>	<b>Description</b>	<b>Colour reference</b>
07	Traffic Grey	RAL 7042
08	White	MP 1013 MP FR 85 R7
12	Blue	RAL 5012
27(R)	Black	RAL 9005
30	Mocha	NCS S 2005-Y40R
90	Anthracite Grey	RAL 7016
136	Black Grey	RAL 7021
138R	Piano Black	AM50CI EG schwarz 8325 VA 82-99139/10